

Overview

- height
- 100 ... 150 mm
- pulsed red laser diode
- analog and RS 485
- Touch Display, RS485
- connector M12 8 pin
- -10 ... 50 °C
- IP 67



Picture similar



Technical data

General data		Electrical data	
Type	Height	Baud rate	115200, adjustable
Version	PosCon OXH7	Reverse polarity protection	Yes, Vs to GND
Measuring range (width)	48 ... 72 mm	Short circuit protection	Yes
Measuring range (distance)	100 ... 150 mm	Mechanical data	
Measuring frequency	570 Hz	Width / diameter	26 mm
Resolution	2 ... 4 µm	Height / length	74 mm
Linearity error	± 30 ... 90 µm	Depth	55 mm
Temperature drift	± 0,04 % Sde/K	Type	Rectangular, front view
Power on indication	LED green	Housing material	Aluminum
Light source	Pulsed red laser diode	Front (optics)	Glass
Wave length	656 nm	Connection types	Connector M12 8 pin
Laser class	1	Weight	130 g
Optical peak power max.	2,4 mW	Ambient conditions	
Adjustment	Touch Display, RS485	Ambient light immunity	< 35 kLux
Electrical data		Operating temperature	-10 ... +50 °C
Response time / release time	3,5 ms	Protection class	IP 67
Voltage supply range +Vs	15 ... 28 VDC	Storage temperature	-25 ... +75 °C
Current consumption max. (no load)	120 mA	Vibration (sinusoidal)	IEC 60068-2-6:2008 1.5 mm p-p at f = 10 - 57 Hz, 10 cycles per axis 10 g at f = 58 - 2000 Hz, 10 cycles per axis
Output circuit	Analog and RS 485		
Output signal	4 ... 20 mA / 0 ... 10 VDC		
Switching output	Push-pull		
Output function	Out 1 / Alarm		
Output current	< 100 mA		

2020-12-16 The product features and technical data specified do not express or imply any warranty. Technical modifications subject to change.

Technical data

Ambient conditions

Shock (semi-sinusoidal)	IEC 60068-2-27:2009
	50 g / 11 ms resp. 100 g / 6 ms, 10 jolts per axis and direction
	100 g / 2 ms, 5000 jolts per axis and direction

Remarks

- Conditions for the following characteristics:
- Measuring frequency 2) 3)
- Resolution 1) 2) 4) 5)
- Linearity error 1) 2) 4)
- Temperature drift 1) 2) 4)
- Response time / release time 2) 3)
- 1) Measurement with Baumer standardized measuring equipment and targets depending on measuring range (distance)
- 2) Measurement on 90% remission (white)
- 3) Measurement with reduced Field of View (start of measurement range 140 mm, end of measurement range 150 mm)
- 4) Measurement with measuring type average
- 5) Measurement with filtering

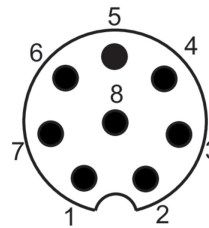
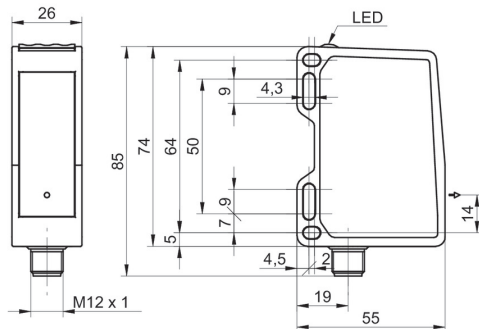
Laser warning



IEC 60825-1/2014
Complies with 21 CFR 1040.10 and 1040.11 except for conformance with IEC 60825-1 Ed. 3., as described in Laser Notice No. 56, dated May 8, 2019

Pin assignment

Dimension drawing



Connection diagram

